



LUNA IPx4

Ceiling hoist with multiple solutions

SAFE AND COMFORTABLE PATIENT TRANSFER

Used in hospitals, nursing homes and home care, WinnCare's overhead lifting solutions are the perfect choice of moving and handling equipment for patients, the elderly and the physically challenged.

Our overhead lifting systems revolve around the lightweight and versatile Luna ceiling lift which installs in seconds and, together with our overhead tracking systems, offers optimal room coverage.

A truly unique Luna feature, which differentiates it from the competition, is its ability to be used as either a fixed or portable ceiling hoist in one and the same unit; Simply reverse the Luna unit, select the appropriate spreader bar, and fixed Luna becomes portable Luna and visa versa. This is a cost effective incentive for institutions who need only invest in only one modular model to cover all their lifting requirements.

Combine Luna with WinnCare's extensive programme of ceiling and unique wall mounted tracks, and you have a system providing complete lifting and transfer solutions to meet the latest requirements in the health care sector.

KEY STANDARD FUNCTIONS

- IPx4 tested for wet environments
- Weight capacity of 200 kg / and 275 kg
- One lift: fixed or portable options in the same modular design
- Emergency lowering functions on hand control & Luna motor
- Charging through the ergonomic hand control on wall mounted docking station
- Patented WinnCare sling hooks

TECHNICAL SPECIFICATION

Max. capacity: 200 kg/275 kg

Strap length: 2200 mm

Weight: 6,7 kg without spreader bar

Measurements: 320 x 130 mm

Battery operation: 36 V, lead acid

Charging: 100-240 V, 0,5 A

Chassis: High impact, moulded ABS

Noise:

Lwa during lifting/lowering without load is 48dB(A)

Lwa during lifting/lowering at maximum load is 52dB(A)

Time of charging: Appr. 4,5 - 5 hours to fully charge empty battery

Lifting speed (down): 44 mm/sek. with 89 kg load

Lifting speed (up): 30 mm/sek. with 89 kg load

No. of lifts per charge: Appr. 80 lifts with 100 kg.

Protection class:

Lifting module: IPx4

Hand control:

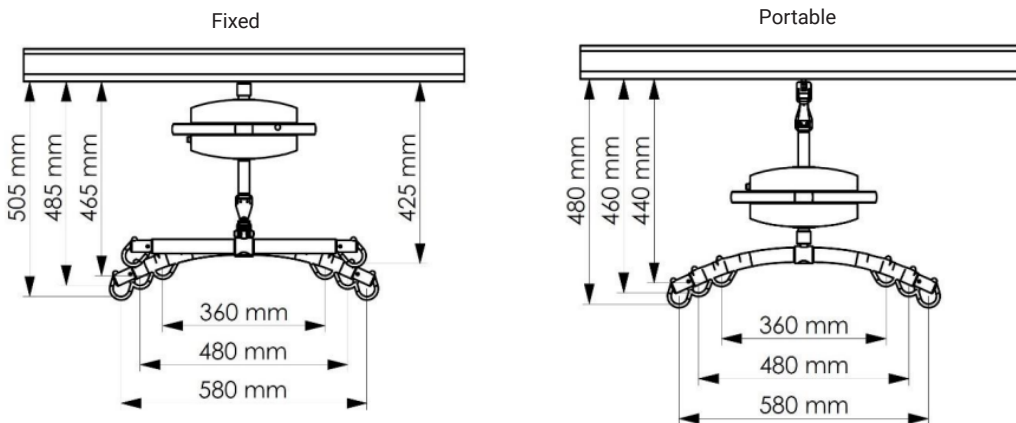
- IPx4 (standard)

- IPx7 (accessory)

Version	Item no.
LunalPx4/200 kg, portable (strap)	015-03020
LunalPx4/275 kg, portable (strap)	015-03022
LunalPx4/200 kg, fixed (bayonet)	015-03026
LunalPx4/275 kg, fixed (bayonet)	015-03028
LunalPx4/200 kg, fixed (bayonet), 2 ports	015-03032
LunalPx4/275 kg, fixed (bayonet), 2 ports	015-03034
LunalPx4/200 kg, room to room	015-03035
LunalPx4/275 kg, room to room	015-03037
Accessories	Item no.
Hand control IPx4 with cable on top*	015-03105
Hand control IPx4 with cable on bottom*	015-03101
Hand control IPx7*	015-03109
2, 3, 4 – points spreader bars	Contact Winncare
Wide sling range	Contact Winncare
Weigh scale	Contact Winncare
Extension strap in various lengths	Contact Winncare



Combine Luna with Winncare's extensive programme of ceiling and wall mounted tracks



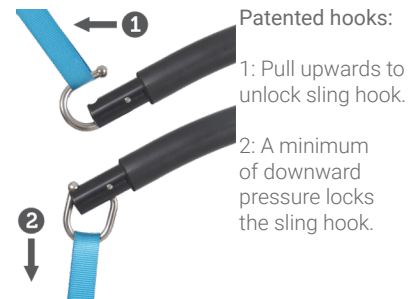
Manual emergency lowering functions: powered on hand control and manual on

CE MDD93/42/
EEC
Class I



All protection class tests are carried out by TÜV.

Consult the Technical manual for further specifications. All figures and measurements are for guidance only and may differ in actual situations. Winncare reserves the right to changes without notice. Product photos may include accessories.



FOR MORE INFORMATION, PLEASE CONTACT:

winncare.com
E-mail: info@winncare.dk
Tel.: +45 70273720

WIN CARE