

Luna Trolley

Portable trolley system for Luna unit

Primary application

Home care
Nursing homes



Using the Luna ceiling hoist in a portable mode allows for unparalleled flexibility in patient transfer situations, in both nursing homes and home care environments.

The Luna Trolley is a quick, efficient and practical means of moving the portable Luna ceiling hoist from one room to another. With the Luna Trolley, there is no need for the carer to carry the overhead lift from room to room. The smooth rolling Luna Trolley does the job for you.

The Luna Trolley provides the carer with a complete portable solution: a cradle to securely hold the Luna ceiling hoist in place, a convenient on board charger, a pouch for the Luna strap and hook attachment, and a useful pocket for carrying slings or documents. In short, a practical aid for the perfect Luna landing.

The extension arm in different lengths is handy for setting up and detaching the Luna ceiling lift (accessory).

Key standard functions

Lightweight easy rolling yet rugged trolley.

On board charging.

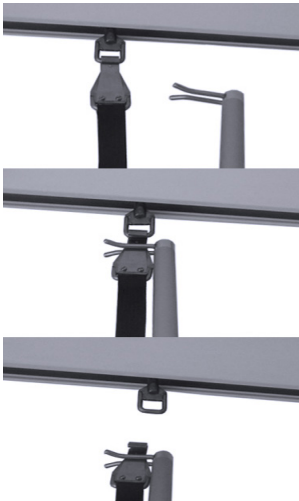
Extension arm to detach the Luna unit (accessory).

Includes handy pocket for a sling.

Pouch for the Luna strap and hook attachment.



Pouch for the Luna strap and hook attachment.



Easy detaching of the Luna unit with extension arm (A, B, C). Extension arm to remove and mount the Luna unit: 3 lengths (accessory).



Handy pocket for storage purposes.



On board charging unit built in.

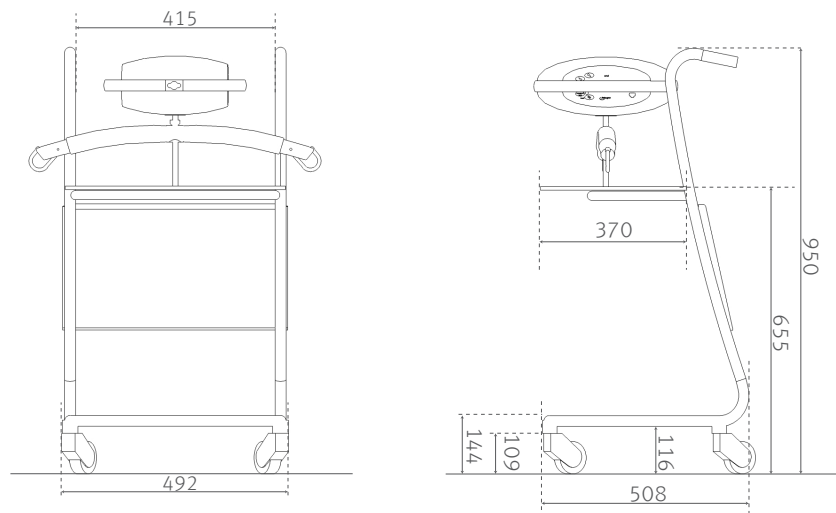
PRODUCT HIGHLIGHTS

- Portable trolley for moving the Luna ceiling hoist between rooms
- Specially designed cradle holder for the Luna unit
- Extension arm in 3 lengths to mount or remove the Luna unit (accessory)
- On board charger
- Handy pocket for a sling or user guide
- Pouch for the lifting strap and hook

Version	Item-number
Trolley for Luna with 2-point spreader bar	015-02017
Trolley for vertical Luna with 2-point spreader bar	015-02018
Accessory	Item-number
Extension arm 600 mm	Contact Winncare Nordic
Extension arm 1000 mm	Contact Winncare Nordic
Extension arm 1500 mm	Contact Winncare Nordic

TECHNICAL SPECIFICATION

Height	950 mm
Length	370 mm
Width	492 mm
Weight	10,6kg
Material	Powder coated steel
Charging	100-240V, 0,5A



Drawings and technical specification refer to horizontal Luna with 2-point spreader bar.

Consult the Technical manual for further specifications. All figures and measurements are for guidance only and may differ in actual situations. Ergolet reserves the right to changes without notice.

Product photos may include accessories. Consult your dealer.



date 31.05.2024 - ver. 10

Winncare Nordic ApS
 Taarnborgvej 12C
 4220 Korsoer
 Denmark
 tel. +45 70 27 37 20
 e-mail: info@winncare.dk



www.winncare.dk