



## WEIGH SCALE

The weigh scale is a M weigh (medically approved weight). The weigh scale is designed to weigh disabled patients body weight, when they are placed in a sling.

The weigh scale has a big screen and multiple functions including On/Off/Zero/Tare button and Hold button.

Weighing capability is up to 300 kg but the LOWEST weight capacity decides the maximum lifting capacity.

The scale has an accuracy of 0,1kg.

With the function Hold it is possible to sample 5 to 10 sets of reading and analyse the discrepancy.

The Tare function makes it possible to subtract additional weight like clothing from the total weight.

The weigh scale with double spreader bar It is a highly flexible portable solution, which can be fitted to practically any manufacturer's lift equipped with a standard two point spreader bar. In addition, the easy to use mounting strap and bracket is width adjustable to accommodate for different sizes of spreader bar.

## KEY STANDARD FUNCTIONS

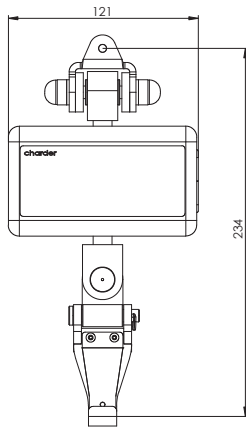
- On/Off/Zero/Tare button
- Hold button
- Big display
- Weighing capability up to 300 kg
- Accuracy of 0,1kg

## ITEM NUMBERS

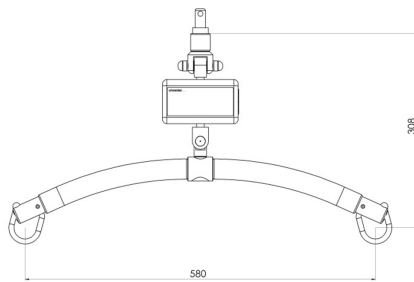
Version	Mounting	Item number
Weigh scale without spreader bar (Luna)	Strap	017-00133
Weigh scale with 2 point spreader bar (58 cm) (Luna/Solar)	Bayonet	017-00117
Weigh scale with 2 point spreader bar (48 cm) (Luna/Solar)	Bayonet	017-00144
Weigh scale with 3 point spreader bar (Luna/Solar)	Bayonet	017-00143
Weigh scale with double spreader bar (Luna/Solar)	Strap	017-00113

# TECHNICAL SPECIFICATION

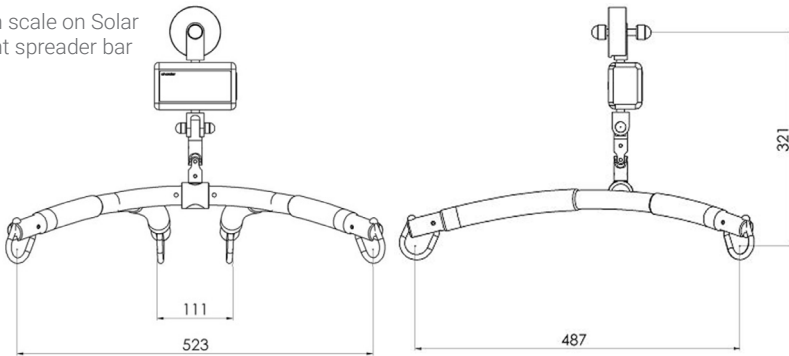
Weigh scale for Luna with strap



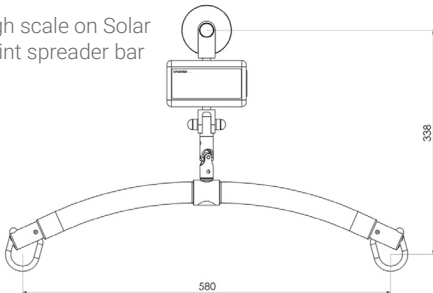
Weigh scale for Luna with bayonet



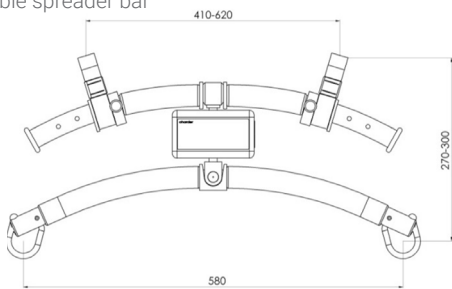
Weigh scale on Solar 3-point spreader bar



Weigh scale on Solar 2-point spreader bar



Weigh scale on double spreader bar



On/Off/Zero/Tare and Hold buttons



Easy to use and read. Big display.

**For more information, please visit**

[www.winnocare.com](http://www.winnocare.com)

Email: [info@winnocare.dk](mailto:info@winnocare.dk)

Tlf: +45 7027 3720



Consult the Technical manual for further specifications.  
All figures and measurements are for guidance only and may differ in actual situations.  
Winnocare reserves the right to changes without notice.  
Product photos may include accessories. Consult your dealer for more information.

WIN  CARE